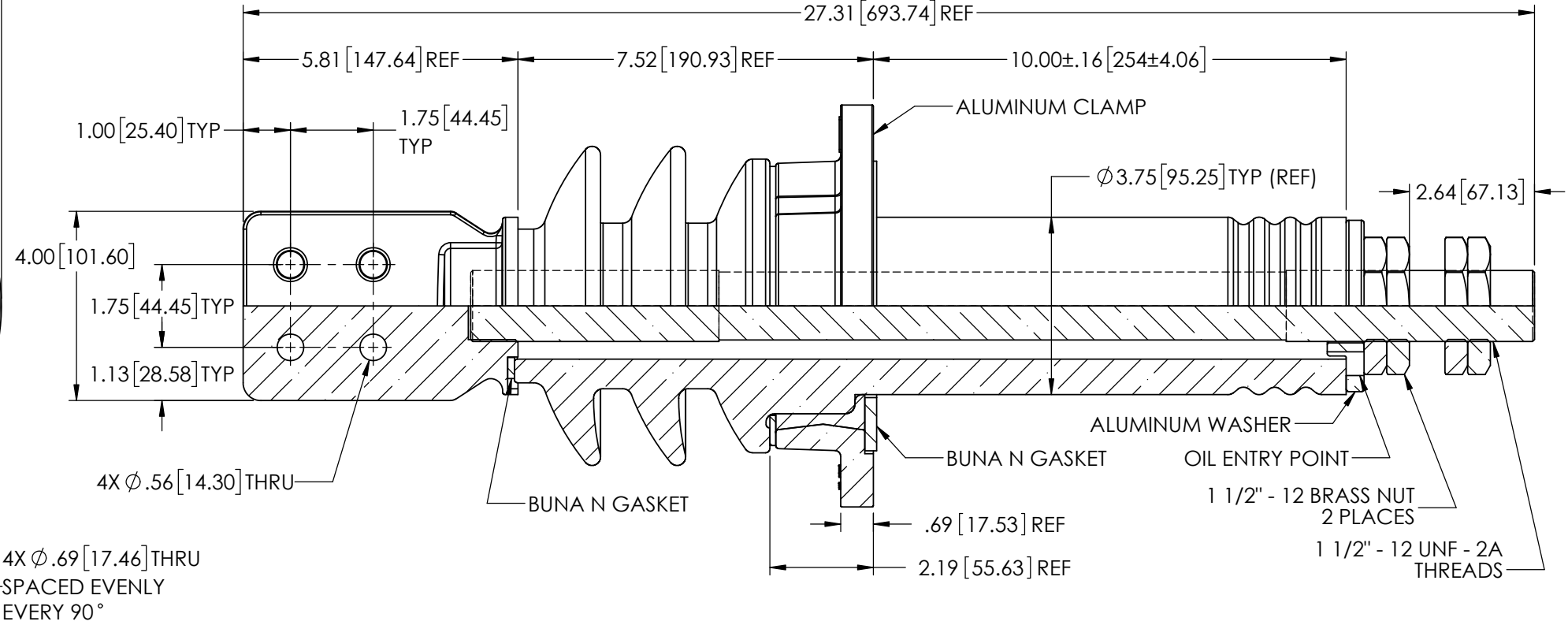
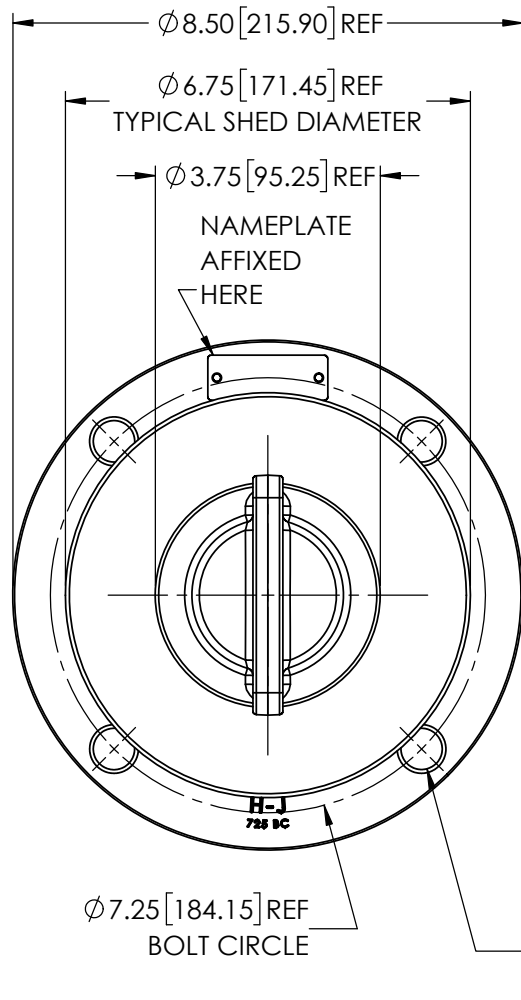


REVISIONS					
REV	DATE	ECN #	DESCRIPTION	BY	APPD



MATERIAL:
 STUD - COPPER C11000
 SPADE - C84400 TIN PLATED

NOTES:
 1. SHANK TO FIT INTO $\phi 4\text{-}1/4\text{'}$ TANK HOLE.
 2. FOR HORIZONTAL OR VERTICAL MOUNTING.
 3. MINIMUM COLD OIL LEVEL - 4" UP SHANK.

PORCELAIN NOTES:
 1. WET PROCESS ELECTRICAL PORCELAIN.
 2. GRAY GLAZE MUNSELL 5BG 7.0/0.4
 3. TOLERANCE $\pm 3\%$ WITH NOTHING LESS THAN $\pm .03\text{'}$, UNLESS OTHERWISE NOTED ON DRAWING.

- SPECIFICATIONS:
- VOLTAGE RATING 8.7kV CLASS
 - BASIC IMPULSE LEVEL 95kV BIL
 - NOMINAL CURRENT RATING 1767 AMPS @ 1000A / SQ.-IN.
 - CREEP DISTANCE (MINIMUM) 10.40 [264.16]
 - STRIKE DISTANCE (MINIMUM) 5.91 [150.11]
 - APPROXIMATE WEIGHT 37.59 LBS

PROPRIETARY AND CONFIDENTIAL
 THE INFORMATION CONTAINED IN THIS DRAWING IS THE SOLE PROPERTY OF H-J ENTERPRISES, INC. ANY REPRODUCTION IN PART OR AS A WHOLE WITHOUT THE WRITTEN PERMISSION OF H-J ENTERPRISES, INC. IS PROHIBITED.

TOLERANCES (EXCEPT AS NOTED)	
DECIMAL	X" = $\pm .1\text{'}$.XX" = $\pm .06\text{'}$.XXX" = $\pm .03\text{'}$
ANGULAR	+/- 1 Degrees



H - J ENTERPRISES, INC.
 3010 HIGH RIDGE BLVD. HIGH RIDGE, MO. 63049 USA
 PHONE 1-636-677-3421 FAX 1-636-376-1915

8.7 kV CLASS POWER BUSHING

MATERIAL (SEE DRAWING)		DRAWING NO.	
CHK'D CJT	APP'D	AS1716-0211	
DRAWN BY MAD		DATE 1/13/2023	SCALE N.T.S.